



Elderfield & Hall, Inc.,

www.kooltools.com

10901 McBride Lane, Knoxville TN, 37932.

Phone: 865.671.7682. Fax: 865.671.7686.

Email: bob@kooltools.com

Sheet Metal and Plate Cutting Machine

Kavax is a highly versatile and extremely useful sheet metal machine.

Its compact size and low weight enable it to move around easily on the workshop floor or to be taken along by the operator on mobile worksites.

If the machine is not intentionally treated carelessly and unnecessarily overloaded, it will serve you faithfully for many years.

Simply follow these directions carefully and the Kavax will prove to be a dependable and useful aid for everyone working with sheet metal.



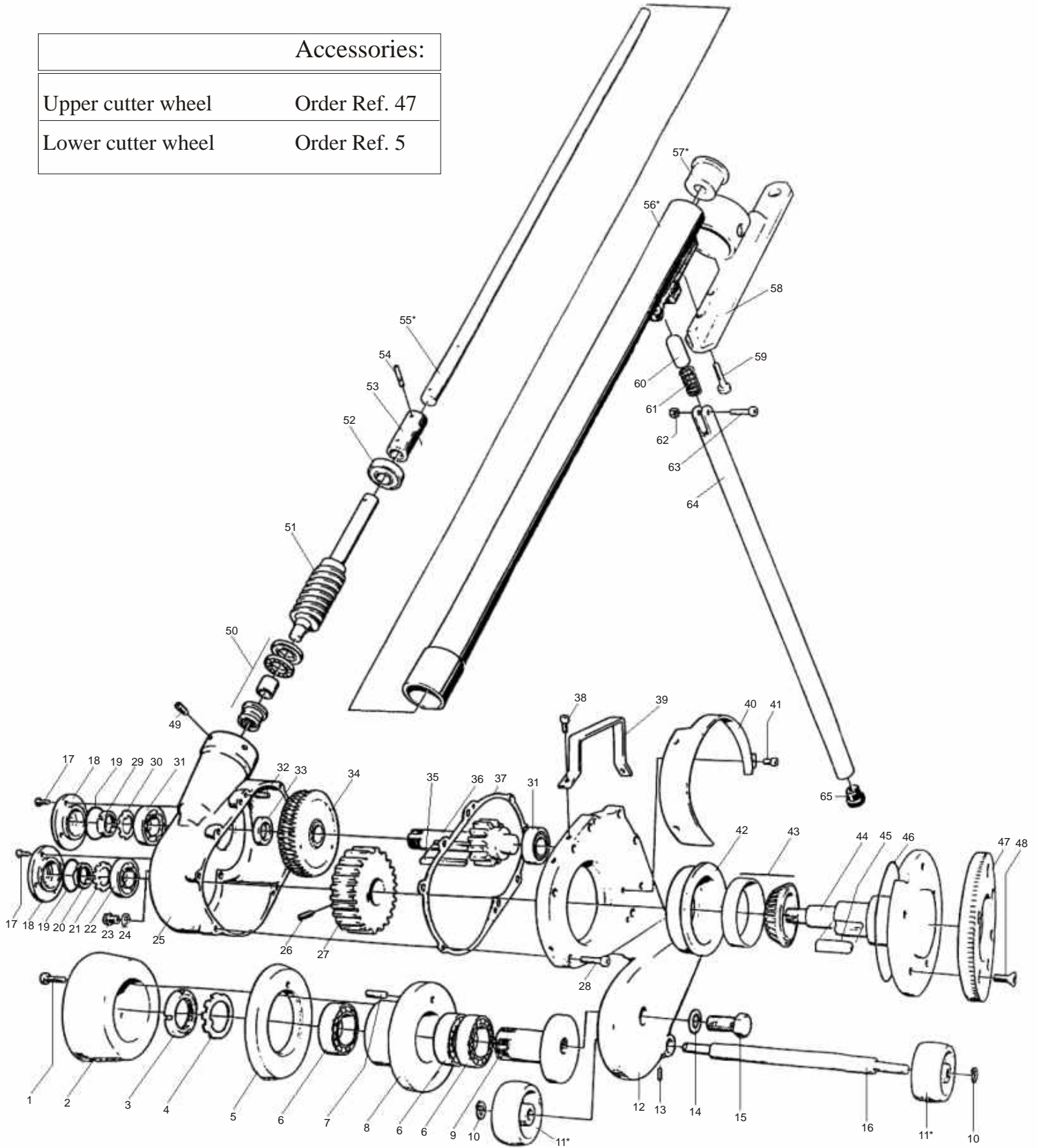
Parts diagram:

- **Parts Diagram**
- **Accessories & Spare Parts**

KAVAX

Parts diagram:

Accessories:	
Upper cutter wheel	Order Ref. 47
Lower cutter wheel	Order Ref. 5



Accessories and Spare parts:

Guarantee

Ordering accessories and spare parts:

The adjacent picture illustrates all the parts included in Kavax. When ordering spare parts, always state the serial number of the machine as well as the number and description of the items required.

Spare parts and accessories must be ordered from your dealer. Always use genuine parts.

Kavax is delivered with a twelve month guarantee counted from the delivery date. If any part proves to be unuseable during the guarantee period, owing to a fault in material or workmanship, the damaged part will be repaired or replaced at no charge. The guarantee does not cover damage arising through external mechanical action, wear, incorrect maintenance or improper treatment. Moreover, the guarantee cannot be invoked in respect of the cutter wheels and no claims will be recognized in respect of direct or indirect costs relating to guarantee matters.

Item No.	Description	Quantity	Item No.	Description	Quantity
1	Screw	4	37	Gasket	1
2	Support drum	1	38	Screw	2
3	Lock nut	1	39	Handle	1
4	Lock washer	1	40	Guard	1
5	Cutter wheel, lower	1	41	Screw	3
6	Deep groove ball bearing	3	42	Bearing housing, upper	1
7	Cylindrical pin	1	43	Tapered roller bearing	1
8	Bearing housing lower	1	44	Cutter wheel shaft, upper	1
9	Cutter wheel shaft, lower	1	45	Key	1
10	Retaining ring	2	46	O-Ring	1
11*	Wheel	2	47	Cutter wheel, upper	1
12	Stand	1	48	Screw	6
13	Stop screw	1	49	Stop screw	2
14	Washer	1	50	Needle axial ball bearing	1
15	Screw	1	51	Worm screw	1
16	Wheel shaft	1	52	Deep groove ball bearing	1
17	Screw	8	53	Clutch	1
18	Cover	2	54	Fluted roll pin	2
19	O-Ring	2	55*	Drive shaft	1
20	Lock nut	1	56*	Shank	1
21	Lock washer	1	57*	Plastic bearing	1
22	Deep groove ball bearing	1	58	Attachment	1
23	Oil plug	1	59	Screw	2
24	Gasket	1	60	Locking plunger	1
25	Hood	1	61	Compression spring	1
26	Stop screw	1	62	Nut	1
27	Gear wheel	1	63	Screw	1
28	Screw	8	64	Support leg	1
29	Lock nut	1	65	Shoe	1
30	Lock washer	1			
31	Deep groove ball bearing	2			
32	Cylindrical pin	2			
33	Spacer	1			
34	Worm wheel	1			
35	Key	1			
36	Shaft for worm wheel	1			

*** Parts Options:**

11B	Wheel - Cast Iron	57B	Bronze Bushing
55B	Short Drive Shaft	66	Short Handle Assm.
56B	Shank - Short	68	Direct Coupling
56C	Shank - 45 degree		