



Elderfield & Hall, Inc.,

www.kooltools.com

222 N Maplewood Ave.,

Chicago, IL 60612

Toll-free: 1.800.747.9353 Fax: 312.829.6733

Email: bob@kooltools.com

Kama Bandsaw EV 996

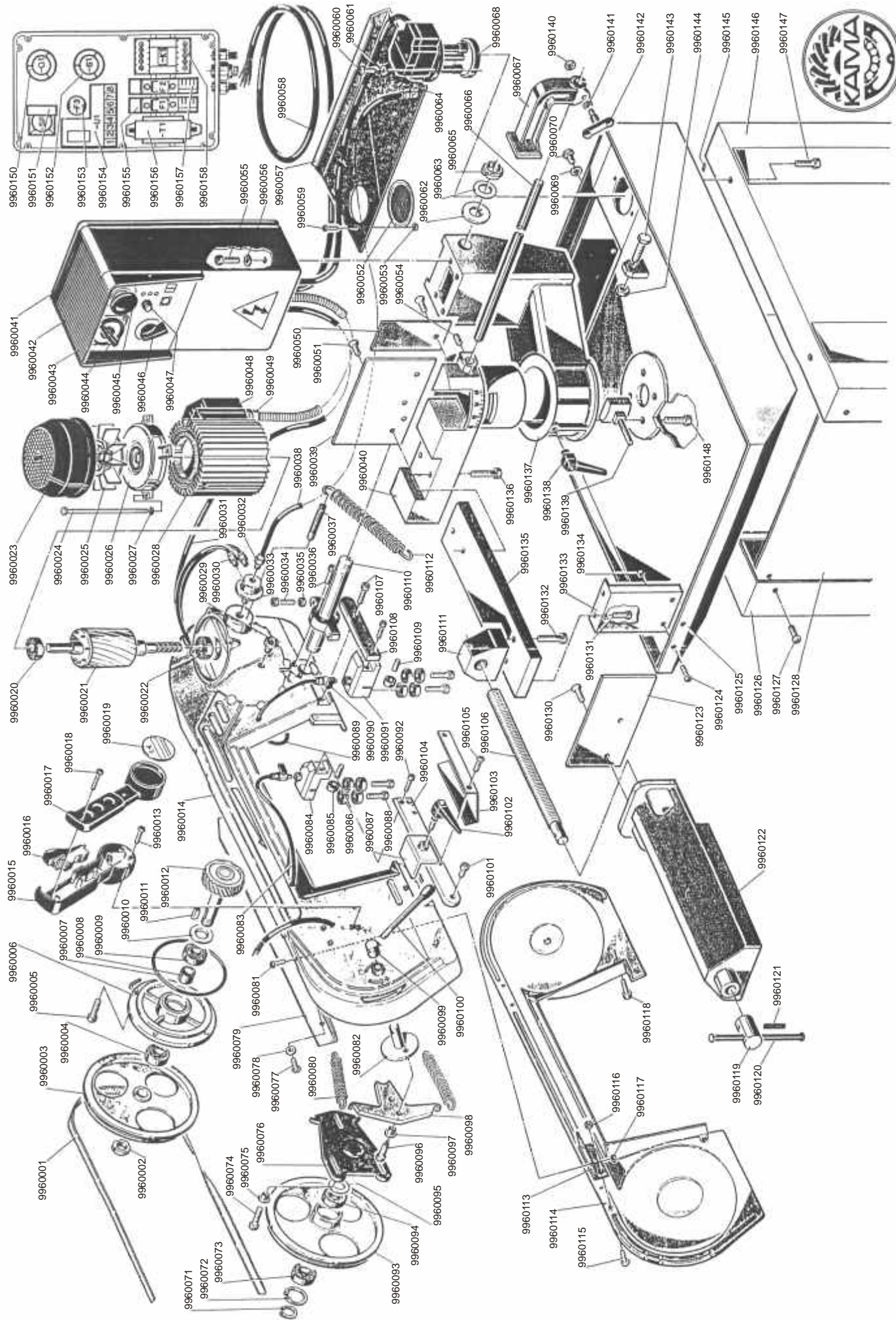
110 Volt, Single Phase;
220 Volt, 3 Phase or Single Phase;
6 3/4" Stationary Bandsaw,
with cooling system, vise, work stop
and base.



Parts diagram:

- Parts Diagram**
- Accessories & Spare Parts**

KAMA
EV 996



Accessories and Spare parts:

Ordering accessories and spare parts:

Part #	Description
9960001	Blade (See List of Blades)
9960002	Left Ferrule
9960003	Driving Pulley
9960004	Bearing 6205 ZZ
9960005	Screw TCCE M8 x 25
9960006	Bearing Cap
9960007	O.R. Gasket
9960008	Spacer
9960009	Bearing 6205 ZZ
9960010	Ring Nilos 6205 ZAV
9960011	Key 6 x 6 x 15
9960012	Crown with Shaft
9960013	Screw M5 x 20
9960014	Head Body
9960015	Rear Handle
9960016	Switch
9960017	Front Handle
9960018	Screw TC TC 3.9 x 16
9960019	Plate
9960020	Bearing 6204 ZZ
9960021*	Shaft with Rotor (specify Voltage)
9960022	Bearing 6205 ZZ
9960023	Fan Cover
9960024	Special Screw M5
9960025	Fan with Ring
9960026	Rear Cap
9960027	Toothed Washer .6798
9960028*	Motor Body with Stator (specify Voltage)
9960029	Plug 18 x 1.5
9960030	Connection M 8000 6-1/8
9960031	Low Tension Cable
9960032	Connection M 8000 8-3/8
9960033	Distributor
9960034	Screw TCCE 8.8 5931 ZIN 8 x 35
9960035	Nut M8 5588 ZIN 8 x 1.25
9960036	Screw TCCE 8.8 5931 ZIN 8 x 30
9960037	Spring Holder Pin
9960038	Pipe 6 x 8
9960039	Large Fixed Jaw
9960040	Vise Holder
9960041	Rear Cover
9960042	Interm. Panel
9960043	Front Panel
9960044	Switch Knob
9960045	Emergency Knob
9960046	Commutator Knob
9960047	Use 9960153 Fuse Assembly
9960048	Terminal Board Cover
9960049	Screw Cable Holder
9960050	Little Fixed Jaw
9960051	Screw TSCE M8 x 25 TPSCE 5933
9960052	Filter Disk

Always specify clearly:

- Machine model and serial number;
- Part code number;
- Part quantity;
- Exact address of your company.

Part #	Description
9960053	Nut M5
9960054	Screw CE M8 x 20
9960055	Screw TCCE M5 x 25 8.8 5931
9960056	Washer FE 5 x 15
9960057	Filter Holder
9960058	Cable
9960059	Screw TC TC M4 x 8 T.CIL CR.FE.ZIN
9960060	Screw TC TC M5 x 20 ZIN T.CIL.CR
9960061	Washer 5 x 15
9960062	Special Washer
9960063	Spring Washer
9960064	Connector L.M. 8000 8-3/8
9960065	Ring Nut
9960066	Stopper Bar
9960067	Holder
9960068	Electric Pump
9960069	Washer ALL. D. 10 mm 1
9960070	Ex. Screw 8.8 5739 ZIN 10 x 18
9960071	Snap Ring External 25 mm
9960072	Snap Ring Internal 52 mm
9960073	Bearing 6205 ZZ
9960074	Holder Nut M8
9960075	Special Ferrule 16 x 6.5
9960076	Spring Holder Slide with Pin
9960077	Screw CIL. CR.FE.ZIN 5 x 8
9960078	Washer 5
9960079	Cable Protection
9960080	Spring 4 x E. 19.5 x L. 85
9960081	Screw M5 x 16
9960082	Eccentric Pin
9960083	Pipe 4 x 6
9960084	Sliding Blade Guide
9960085	Bearing 625 ZZ CNI
9960086	Bearing 6000 DD1 2RS
9960087	Stopper Blade Guide Hanger
9960088	Screw TCCE 8.8 5931 ZIN 8 x 35
9960089	Pipe 4 x 6
9960090	Valve 1/8 - 6
9960091	Fixed Blade Guide
9960092	Screw TCCE M5 x 14 8.8 5931
9960093	Driven Pulley
9960094	Bearing 6205 ZZ
9960095	Spacer
9960096	Screw TCCE 8 x 20
9960097	Special Ferrule 16 x 8
9960098	Spring Holder

Part #	Description	Part #	Description
9960099	Eccentric Pin Protection	9960138	Turning Lever MRX 63 B M8
9960100	Lever BL 368/10 x 137	9960139	Pawl with Screw
9960101	Screw TCCE 8.8 5931 ZIN 8 x 10	9960140	Nut M8 5588 ZIN 8 x 1.25
9960102	Handle MRX 63P M8 x 45	9960141	Washer 8 x 16 FE 6592 ZIN mm
9960103	Protection Crankcase	9960142	Knob with Screw
9960104	Sliding Blade Guide Support	9960143	EX. Screw 8.8 5739 8 x 16
9960105	Screw T.CIL CR.FE.ZIN 5 x 8	9960144	Nut M10
9960106	Screw Vise	9960145	Rear Panel
9960107	Screw TC CE M8 x 20 8.8 5931	9960146	Side
9960108	Fixed Blade Guide Support	9960147	EX. Screw 8.8 5739 ZIN 8 x 16
9960109	Roller 5 x 15.8	9960148	Screw TC CE M8 x 20
9960110	Small Shaft	9960149	Ring Nilos 6205 ZJV
9960111	Vise Nut	9960150	General Switch
9960112	Spring 3 x E. 20 x L. 85	9960151	Emergency Switch
9960113	Hinge	9960152	Speed Switch
9960114	Head Cover	9960153	Fuse Assembly
9960115	Screw TC TC M5 x 16 ZIN	9960154	Circuit with Coil
9960116	Nut M5	9960155	Fusible
9960117	Nut M5	9960156*	Transformer (specify Voltage)
9960118	Screw TC TC M5 x 25	9960157	Fusible
9960119	Vise Knob	9960158*	Complete Control Box (specify Voltage)
9960120	Vise Handles		Washer 8 x 14 x 1
9960121	Plug Spiral 8 x 40		Distributor
9960122	Sliding Body Vise		Screw TC TC 3.9 x 16 for Box Controls
9960123	Sliding Jaw		Triangular Plate V. 220
9960124	Screw TBCE 5 x 10DIN 6912		Triangular Plate V. 380
9960125	Base		Condensor 12.5 Single Phase
9960126	Side		Screw TCCE 8 x 20 Distributor
9960127	Screw TBCE 5 x 10DIN 6912		Ferrule Int. .8 for Blade Guide
9960128	Front Panel		Screw TBCE M8 x 45 for Spring Holder Slide
9960129			Steel Ring .4 for Blade Guide
9960130	Screw TSCE M8 x 25 TPSCE UNI		Washer Diam. 8
9960131	Screw TCCE 8.8 5931 ZIN 8 x 10		Washer Diam. 5
9960132	Screw TCCE M8 x 35		Serrated Washer Diam. 5
9960133	Vise Reinforcement		Nut M4
9960134	Nut M5		Screw 3.5 x 13
9960135	Vise Guide		Front Plate for Control Box
9960136	EX. Screw 8.8 5739 8 x 50		Plate for Base Front Side
9960137	Turning Support		

* Always specify Voltage of the machine.

LIST OF BLADES: (Packs of 5)

Part #	Size	Description
9960001406	6' 3" x .035 x 3/4"	4-6 TPI BI-Metal Blade
9960001610	6' 3" x .035 x 3/4"	6-10 TPI BI-Metal Blade (Furnished with machine)
9960001812	6' 3" x .035 x 3/4"	8-12 TPI BI-Metal Blade
9960001014	6' 3" x .035 x 3/4"	10-14 TPI BI-Metal Blade

MOBILE BASE: (fig. A)

Part #	Description
9962612	Mobile Base with Locking Casters

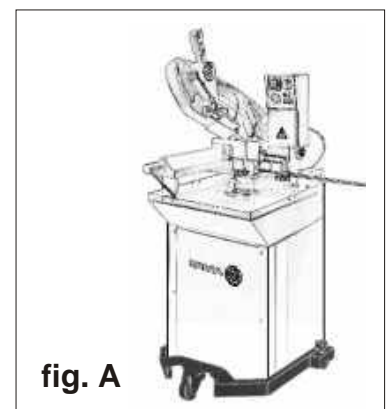


fig. A